



Automatic Bed Pan Flusher/Sanitizer



Duck Series

The Atherton Duck Series has been designed using the latest technology to provide a simple and effective solution to flushing and sanitizing Bedpans and Urine bottles.

Water consumption has been drastically reduced with the introduction of an "Eco Cycle". This was achieved by improving our spray cleaning system which requires less water. With power consumption at just 0.14 kWh per cycle, the Duck is the most energy efficient unit available.

The door to the flushing/sanitizing chamber is opened automatically when a bedpan is held in front of it courtesy of a motion sensor. The soiled pan or bottle is then placed in the retaining rack assembly which can accommodate two urine bottles per cycle, or one bedpan, slipper pan, or commode pan. The door closes automatically when the start button is pressed.

Fully automatic cycle control is provided by a micro processor control module. A touch screen display provides the operator with cycle status information. Should a fault occur the operator is advised via the display. If sanitizing conditions are not met, the door will remain locked until rectified.

All models are manufactured in accordance with Australian Standard A.S.2437, and have type test mark certificate N° 813. The supporting framework, flushing/sanitizing hopper, door, cold water tank and panelling are fabricated from 304 grade Stainless Steel. Front access is available for ease of maintenance and service.

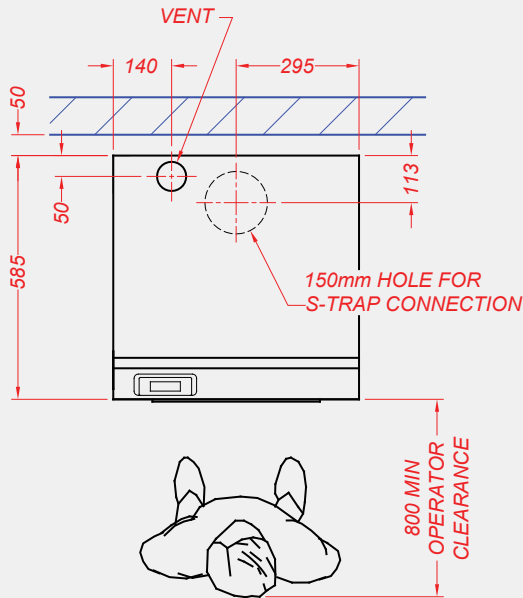


Atherton can also supply bottle and pan storage rack system. Available in several configurations and manufactured from 304 grade Stainless Steel. Contact Atherton to discuss appropriate sizing to suit your needs.

Features

- Front access for maintenance
- 240 Volt 10 Amp GPO connection
- Optional detergent dosing to meet the requirements of ISO 15883-3
- Listed on the Australian Register of Therapeutic Goods
- Water mark certification
- Energy efficient
- Chamber capacity
2 bottles or 1 bed pan
- Cool down stage
No hot bottles or pans
- Stainless steel construction
- No vent or tank overflow required

Technical Installation Data



- **Cold Water** - 15mm BSP with a minimum flow rate of 0.26 litres/sec at 150 - 800Kpa.

Consumption per cycle - 7 or 14 litres.

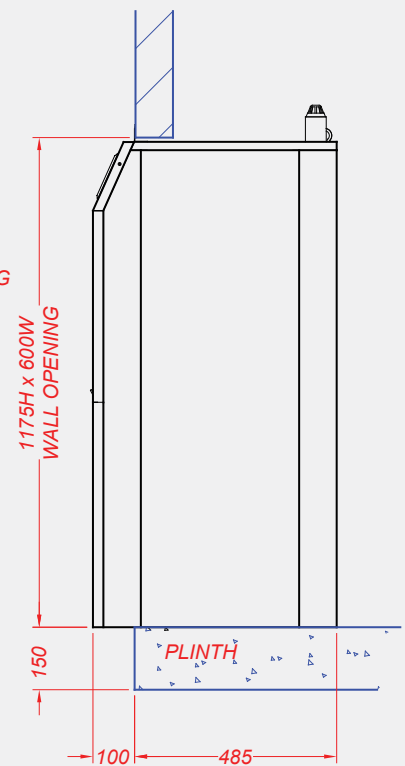
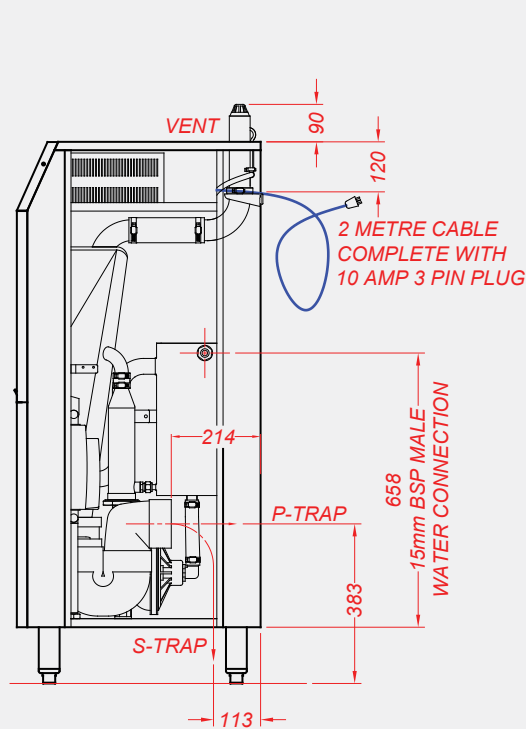
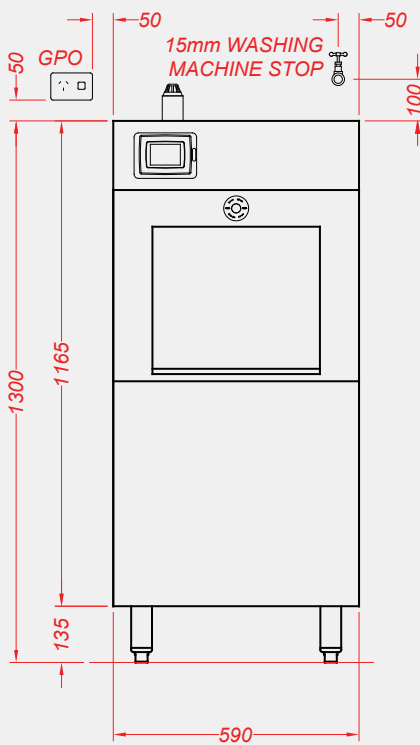
Water Quality must comply with AS2437-1987 Appenix B Quality of Water.

- **Waste** - 100mm Connection. "S" or "P" trap. Connection to AS3500.2

Waste discharge temperature not more than 45°C

- **Power** - 10 Amp GPO to AS3000.

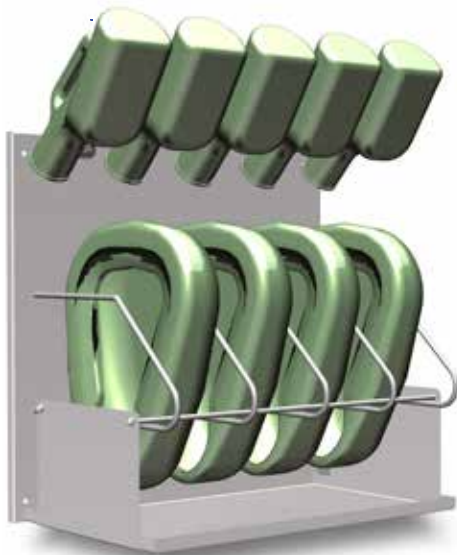
Consumption per cycle approximately 0.14kW hour



FREE STANDING

BUILT IN

Bedpan and Bottle Rack Standard Configurations



Bottles	Pans	Dimensions
Quantity	Quantity	Overall Height x Width (mm)
4	3	640 x 457
5	4	640 x 584
6	5	640 x 711
7	6	640 x 838
8	7	640 x 965
9	8	640 x 1092

Design and specifications may change without notice.

For further information please contact:

Sterilizer Equipment Sales & Service

Phone 07 3849 1077

Email gregh@sess.com.au

Head Office Unit 3, 62 Secam Street Mansfield QLD 4122



AS/NZS 3500.1
Water Mark



Sales & Service

Phone 07 3849 1077

ARTG 223775

Web: www.sess.com.au

Sterilizing Equipment Sales & Service ACN 010467213 ABN 64010467213

